

**MASI67 I/O MODULE**

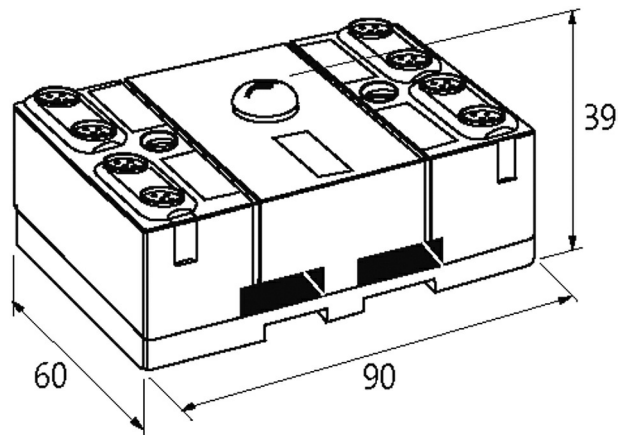
8 digital inputs

Digital inputs

DI8 - 0.24 A - 8× M8 (AB)

Connection cables are in the online shop under "Connection Technology".

Housing fully potted.

**Illustration**

Product may differ from Image

**Approvals****Input**

Type	for 3-wire sensors or mechanical switches, PNP
Sensor supply US	max. 240 mA from AS-Interface (short-circuit and overload protected)

**General data**

Protection	IP67
Mounting method	DIN-rail mountable (EN 60715) or screw fixing
Temperature range	-20...+60 °C (storage temperature -20...+70 °C)

Dimensions H×W×D 94×60×39 mm

#### Technical Data

Bus voltage (AS-Interface)	26.5...31.6 V DC
Total current (AS-Interface)	max. 290 mA
Addressing	via built-in address port or master
Address range	1...62 (2× 1...31 A or B)
Profile (IO/ID/ID2 code)	2× S-0.A.0

#### Diagnostic

Communication status	via LED
Diagnostic via LED	per module
Monitoring - no voltage	yes

#### Commercial data

country of origin	DE
customs tariff number	85176200
EAN	4048879049054
eClass	27242604
Packaging unit	1